

Handheld Drone Detection, Jamming and Spoofing All-in-One Equipment

Technical Data Sheet



PRODUCT OVERVIEW



Figure 1.

Adopting an integrated design concept, the HDJS 1.0 system combines detection, early warning, target direction finding, jamming, display and control networking functions. It can be used either as a standalone unit or as part of a network of multiple units, with the status of the equipment and targets displayed visually on the control terminal. It is suitable for individual duty scenarios in public safety, correctional facilities, airports, stadiums, water conservancy and hydropower, and other industries.

KEY FEATURES

High Integration: Integrates detection and early warning, direction finding and positioning, jamming functions, and this single device has its own system and closed-loop control.

Rapid Detection: 360° omnidirectional and sub-millisecond detection, the device will issue sound and light alarm immediately after detection.

Precise Identification: Precisely identify drones of the same brand, model and operation frequency.

Direction Finding: Quickly determine the direction of drone intrusion and turn on jamming function to implement over the horizon directional defense.

Full-Covered Library: Cover more than 98% drones on the market, including DJI, Autel, JOUVA, Hubsan, 3DR, Parrot, Prox Dynamic, APEX, DIY drones.

PRODUCT APPEARANCE

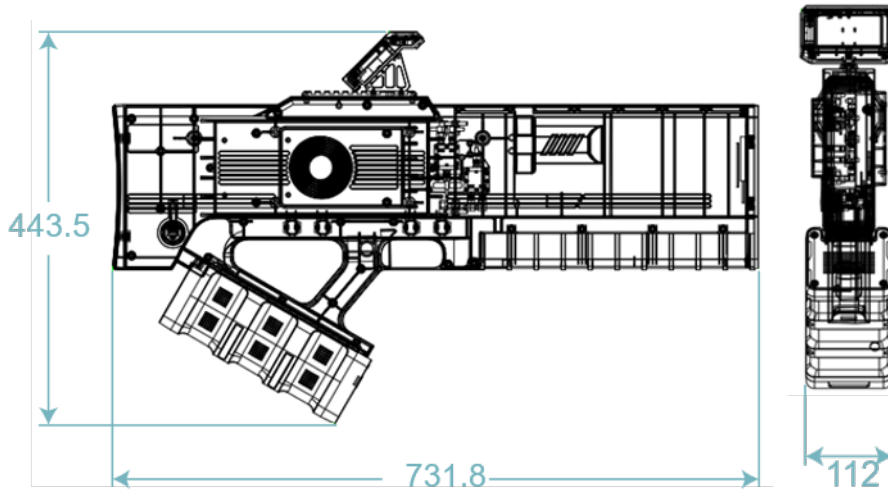
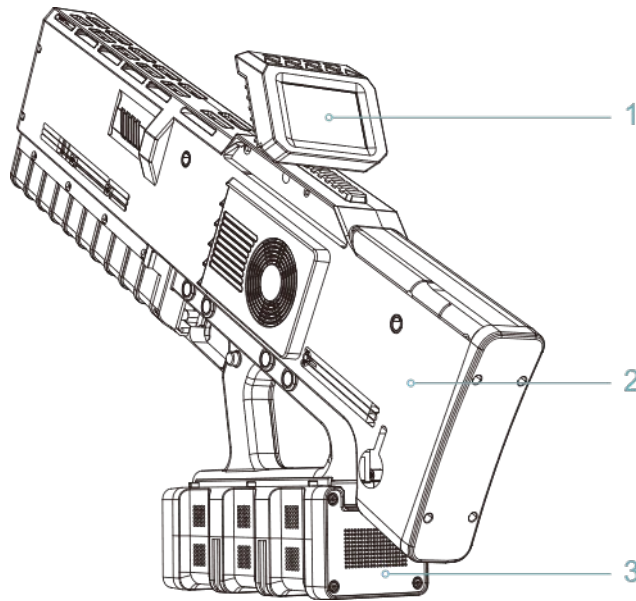
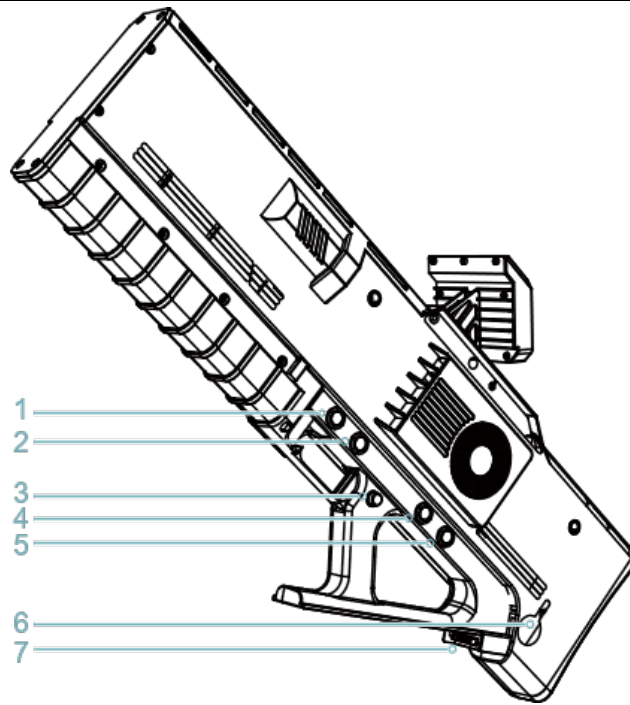


Figure 2. Dimensions: 731.8mm × 443.5mm × 112mm



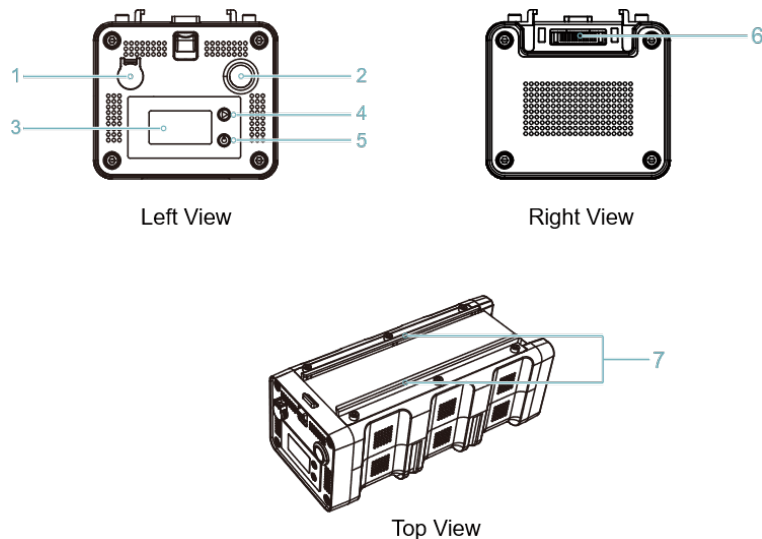
1. Touch Screen 2. Main Device 3. Lithium Battery

Figure 3. HDJS 1.0 Appearance



- | | | |
|---------------------------------------|--|------------------|
| 1. Power On/Off Button | 2. Detection/Direction-finding switch button | 3. Trigger lock |
| 4. Navigation spoofing switch | 5. Tri-band/Quad-band jamming switch button | 6. Ethernet port |
| 7. Male connector for lithium battery | | |

Figure 4. Diagram of the ports on the main device



- | | |
|---|--|
| 1. Charging port of the lithium battery | 5. Power On/Off button of the battery display screen |
| 2. Power On/Off Button of the lithium battery | 6. Female connector for lithium battery |
| 3. Lithium battery information display screen | 7. Mounting rails |
| 4. Voltage/Temperature display switch button | |

Figure 5. Diagram of the ports on the battery

PACKAGING INFORMATION

Packaging Dimensions (Main Device)	Specifications
Device Dimensions	731.8mm × 443.5mm × 112mm
Packaging Dimensions	880mm × 480mm × 230mm
Weight	≤18kg
Packaging Method	Packaging Box

*The packaging information is for your reference only.

TECHNICAL SPECIFICATIONS

Main Bands	2.4GHz, 5.8GHz	
Detection Distance	0~3km(Differences exist due to different environments and drone types)	
Jamming Bands	900MHz, 1.5GHz, 2.4GHz, 5.8GHz	
Jamming Distance	0~1km(Differences exist due to different environments and drone types)	
Jamming Bands/Power Output	(890±10)MHz~(930±10)MHz	(43±2) dBm
	(1540±10)MHz~(1630±10)MHz	(40±2) dBm
	(2380±10)MHz~(2500±10)MHz	(43±2) dBm
	(5710±10)MHz~(5870±10)MHz	(43±2) dBm
Direction Finding Accuracy	≤10° (RMS)	
Spoofing Signal	GPS-L1, GLONASS-L1, BDS-B1	
Power Supply	Built-in lithium battery can be replaced Support charging while using	
Power Consumption	≤50W (Detection)	
	≤230W (Jamming)	
Continuous Runtime	≥8h (Detection)	
	≥45min (Jamming)	
Dimensions	731.8mm × 443.5mm × 112mm (±2mm, Battery included)	
Weight	6kg (Battery included)	
Operating Temperature	-25°C to +65°C	